



## How To Use The PARI Filter Set

### Intended Use:

The PARI Filter Set is to be used when inhaling nebulised antibiotics. It prevents contamination of the environment by the patient's exhaled air. The PARI Filter Set should be used for inhalation therapy of any medication which may be hazardous to health if inhaled constantly. Due consideration for the use of the PARI Filter Set should be given by nursing staff in the hospital or a parent assisting their child when nebulising antibiotics. It also helps prevent antibiotic resistance.

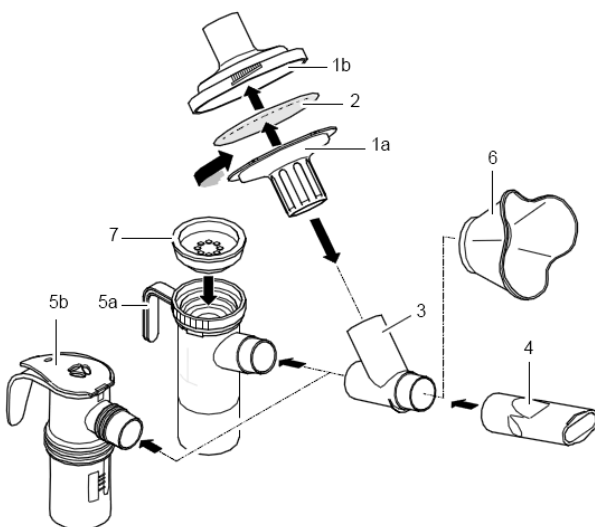


**Please note; this information sheet does not replace the instructions for use.**

**Please ensure you read the Instructions for Use for both the eFlow® rapid and PARI Filter/Valve Set.**

### How to Assemble to LC PLUS/LC SPRINT

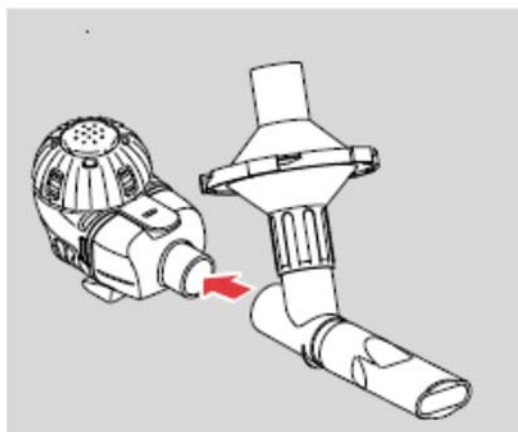
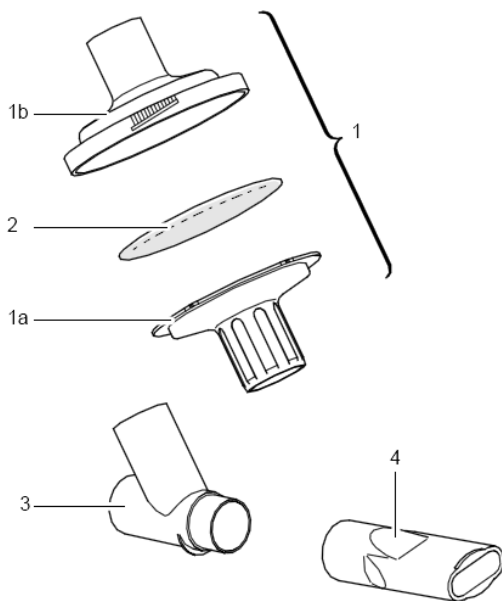
- 1) Place a filter pad (2) in the exhalation filter upper part (1b).
- 2) Insert the exhalation filter lower part (1a) in the exhalation filter upper part with the snap locks in the holes provided.
- 3) Close the exhalation filter by turning its lower part clockwise as far as it will go.
- 4) Insert the Y-connection (3) in the exhalation filter and on the nebuliser (5a).
- 5) Insert the mouthpiece without the expiratory valve (4) or BABY mask (6) onto the free end of the Y-connection.
- 6) Connect the inspiratory valve (7) to the LC Plus.
  - a) This part is not necessary if you are using an LC Sprint.





**How to use with an eFlow® rapid**

- 1) Place a filter pad (2) in the exhalation filter upper part (1b).
- 2) Insert the exhalation filter lower part (1a) in the exhalation filter upper part with the snap locks in the holes provided.
- 3) Close the exhalation filter by turning its lower part clockwise as far as it will go.
- 4) Insert the Y-connection (3) in the exhalation filter and on the eFlow rapid Aerosol chamber.
- 5) Insert the mouthpiece without the expiratory valve (4) or smart mask onto the free end of the Y-connection.





### **Cleaning your Filter Set**

The PARI Filter Set must be cleaned, disinfected and sterilised after each use. To clean the Filter Set:-

- 1) Dismantle all parts of the PARI Filter Set
- 2) Wash in warm water for 5 minutes with a little dishwashing liquid.
  - a) OR, wash in the dishwasher placing parts in cutlery basket
- 3) Drain off well.

### **Disinfection**

- 1) Place all individual parts in boiling water for 15 minutes. *If local water is hard – use distilled water.*
- 2) Do not let boil dry.
- 3) It is also possible to disinfect in a baby bottle steam steriliser. E.g. NUK Vaporiser 6